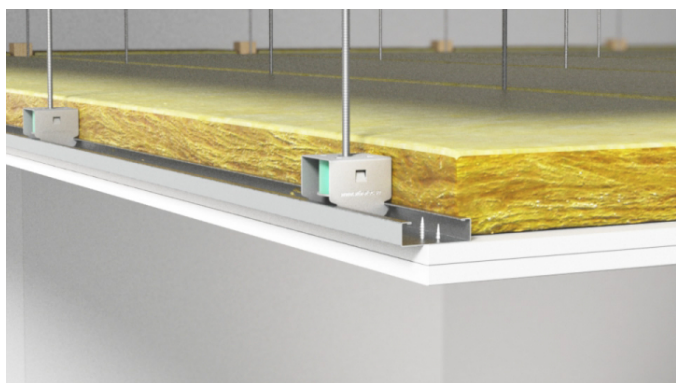


VT-SFC



## Description

The VT-SFC Single Frame Ceiling System is designed to optimise the sound insulation of suspended ceilings. The system comprises of VT-SFC hangers and profile rails (CD5015).

## Characteristics

Deflection: 1-3 mm

Resonance frequency down to 9 Hz.

## Notes

### Installation Guidelines

The hangers are mechanically fixed to the ceiling and the profile rail is clicked on to the hangers. Plasterboard can then be fixed on to the rails. VT-SFC hangers must only be used with the profile rails CD5015 to ensure structural stability of the ceiling. A self adhesive elastic strip VC1001 should be used to isolate the suspended ceiling from surrounding walls to avoid undermining the acoustic integrity of the ceiling.

Mineral wool should be used in the air void to absorb possible standing waves in the void.

---

#### SWEDEN

Tel: +46 176 20 78 80  
info@vibratec.se

#### NORWAY

Tel: +47 33 07 07 50  
info@vibratec.no

#### DENMARK

Tel: +45 49 13 22 44  
info@vibratec.dk

#### FINLAND

Tel: +35 840 530 18 11  
PALVELU@3di.fi

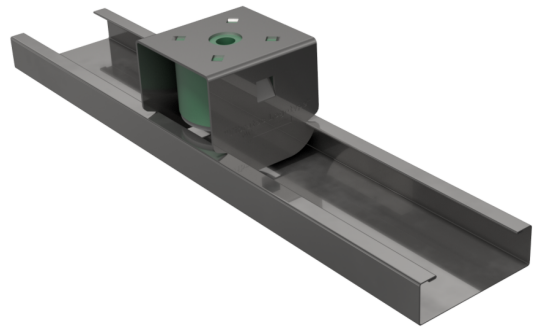
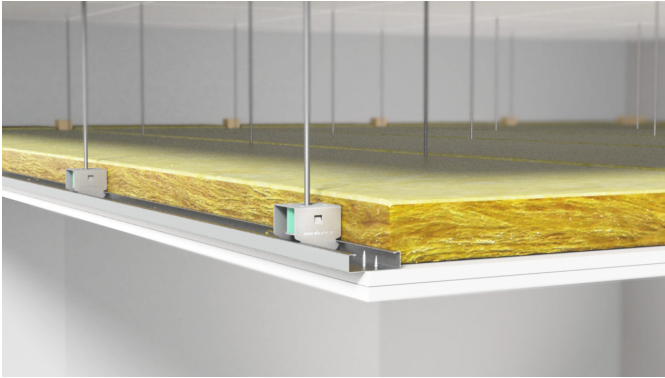
#### ESTONIA

Tel: +372 56 66 29 93  
info@vibratec.ee

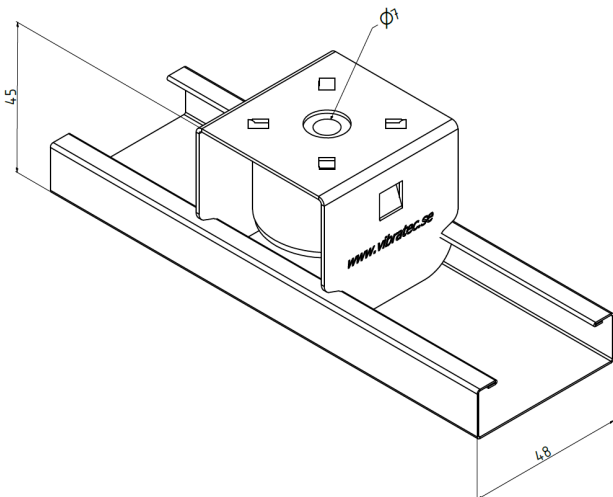
#### FRANCE

TEL: +46 176 20 78 96  
info@vibratec.eu

## VT-SFC Images



## VT-SFC Characteristics



SWEDEN

Tel: +46 176 20 78 80  
info@vibratec.se

NORWAY

Tel: +47 33 07 07 50  
info@vibratec.no

DENMARK

Tel: +45 49 13 22 44  
info@vibratec.dk

FINLAND

Tel: +35 840 530 18 11  
PALVELU@3di.fi

ESTONIA

Tel: +372 56 66 29 93  
info@vibratec.ee

FRANCE

TEL: +46 176 20 78 96  
info@vibratec.eu